



DANUBIA SZABADALMI ÉS
JOGI IRODA KFT.
Bajcsy-Zsilinszky út 16.
H-1051 Budapest
HUNGARY

January 22, 2024

Processing number: DGP/970217193
Your Reference: 134407HS - HG
Office ref.: 2022600001839

Re: International Registration No. DM/222798

Madam,
Sir,

In accordance with Rule 18bis(3) of the common regulations under the Hague Agreement concerning the international registration of Industrial Designs, please find herewith a copy of the statement of partial grant of protection issued by the Chinese Office in relation to the above-mentioned international registration.

Yours sincerely,

**International Bureau of the World
Intellectual Property
Organization**



China National Intellectual Property Administration

Issuing Number: 2023122600230710

Issuing Date(yyyy.mm.dd): 2024.01.12

Geneva Act of the Hague Agreement Concerning
the International Registration of Industrial Designs

STATEMENT OF GRANT OF PROTECTION (TO WIPO)

Pursuant to Rule 18bis of the Common Regulations
under the 1999 Act and the 1960 Act of the Hague Agreement.

1. Office sending the statement:

China National Intellectual Property Administration (CNIPA)
6, Xitucheng Rd., Jimen Bridge, Haidian District, Beijing, China 100088

2. International registration number:

DM/222798

3. Holder of the international registration:

J ó zsef Lajos SIMON

4. Effective date of grant of protection(yyyy.mm.dd):

2024.01.12

5. Chinese patent number:

202260000183.9

6. Granted industrial design(s):

The design(s):1.The other design(s) has (have) been deleted from this registration.

7. Decision:

Pursuant to the law of the People's Republic of China, the above-mentioned industrial design(s) should be granted for protection in China.

8. Other information:

None

9. Amendment to the registered industrial design(s):

With amendment(s)

* See the annex for the granted design(s).

Examiner: JIN Jing

Office: China National Intellectual Property
Administration (CNIPA)



Annex:

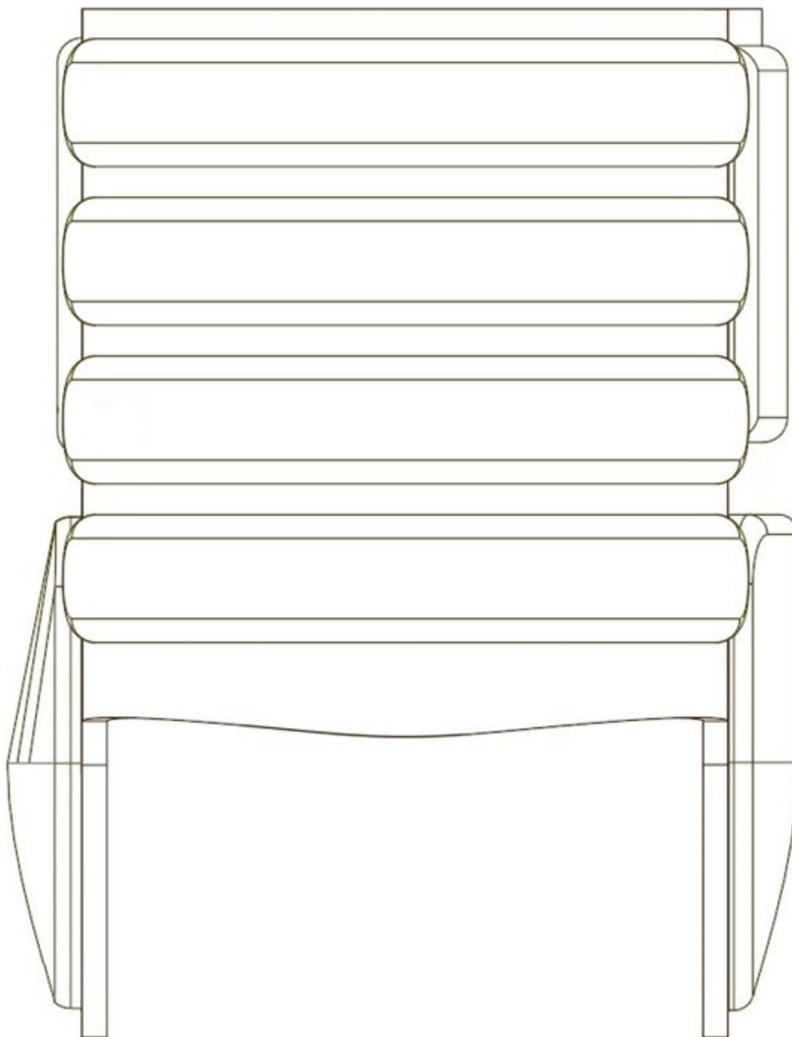
I .Product name

1 Ankle protector;

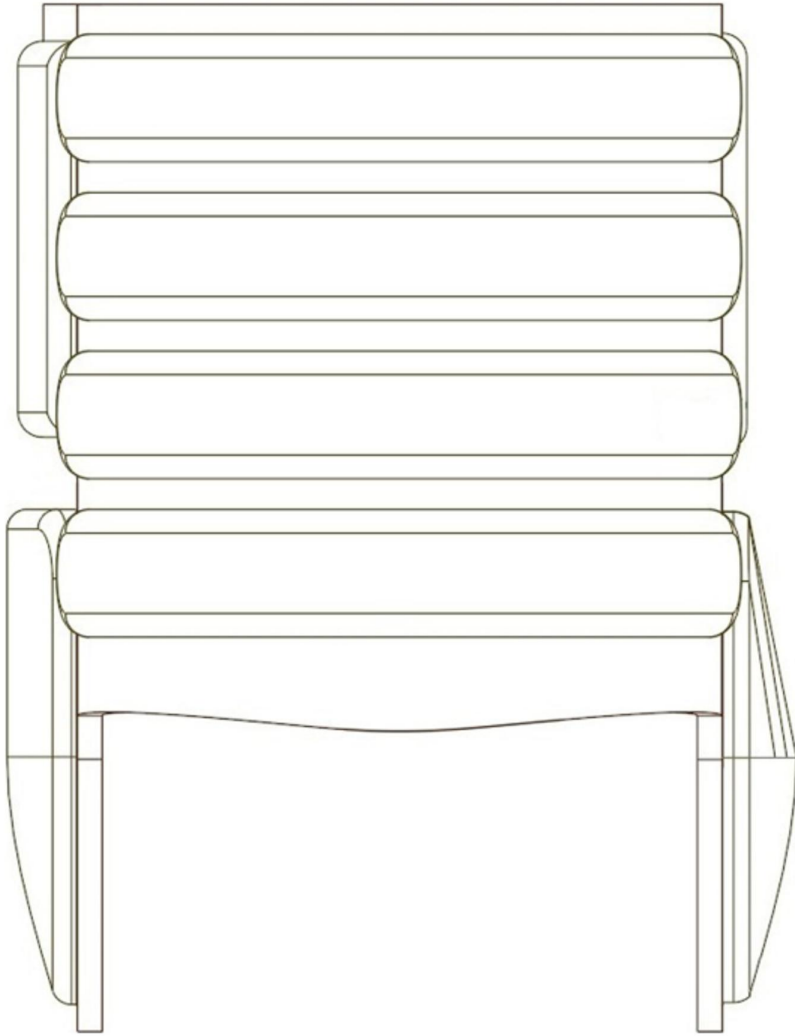
II .Brief description of the granted design(s)

1.The title of the product incorporating the design is: ANKLE PROTECTOR. 2.The use of the product incorporating the design is: to protect the wearer's ankle. 3.The essential features of the design product are: the shape of the product. 4.The drawing or photograph designated to best show the essential features of the design is: Figure 1.5).

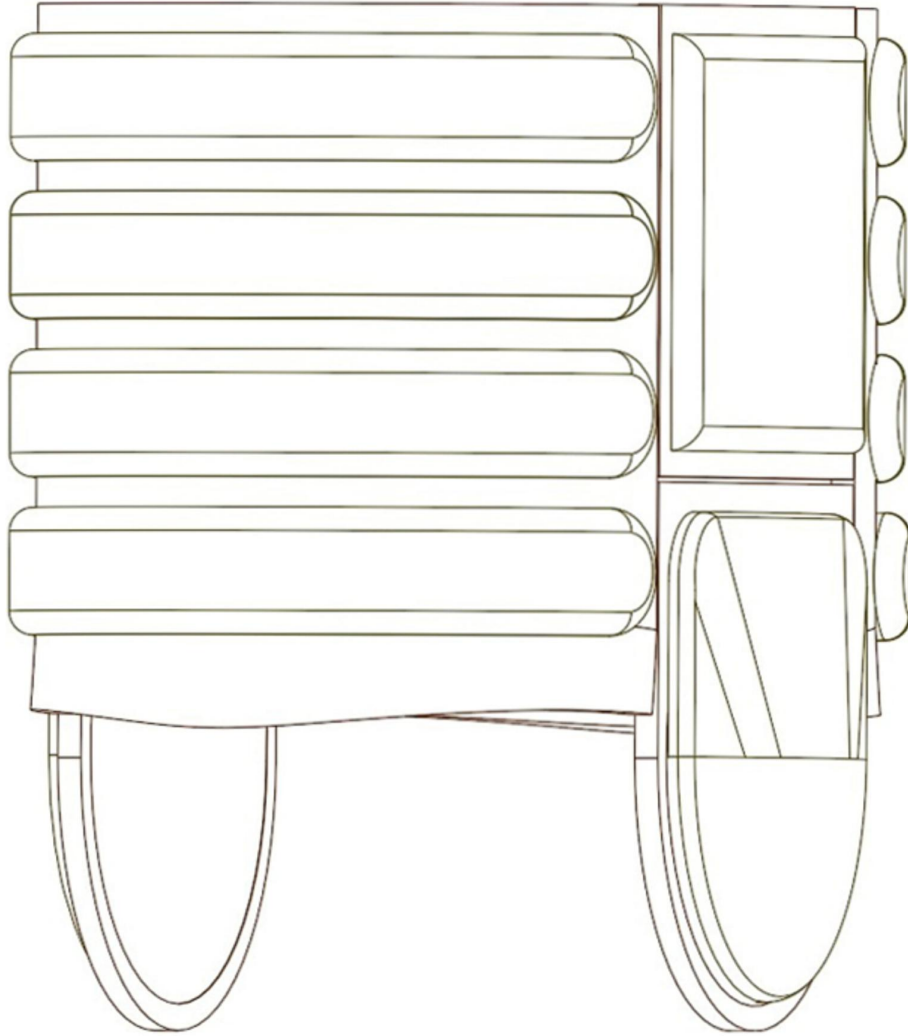
III .Views of the granted design(s)



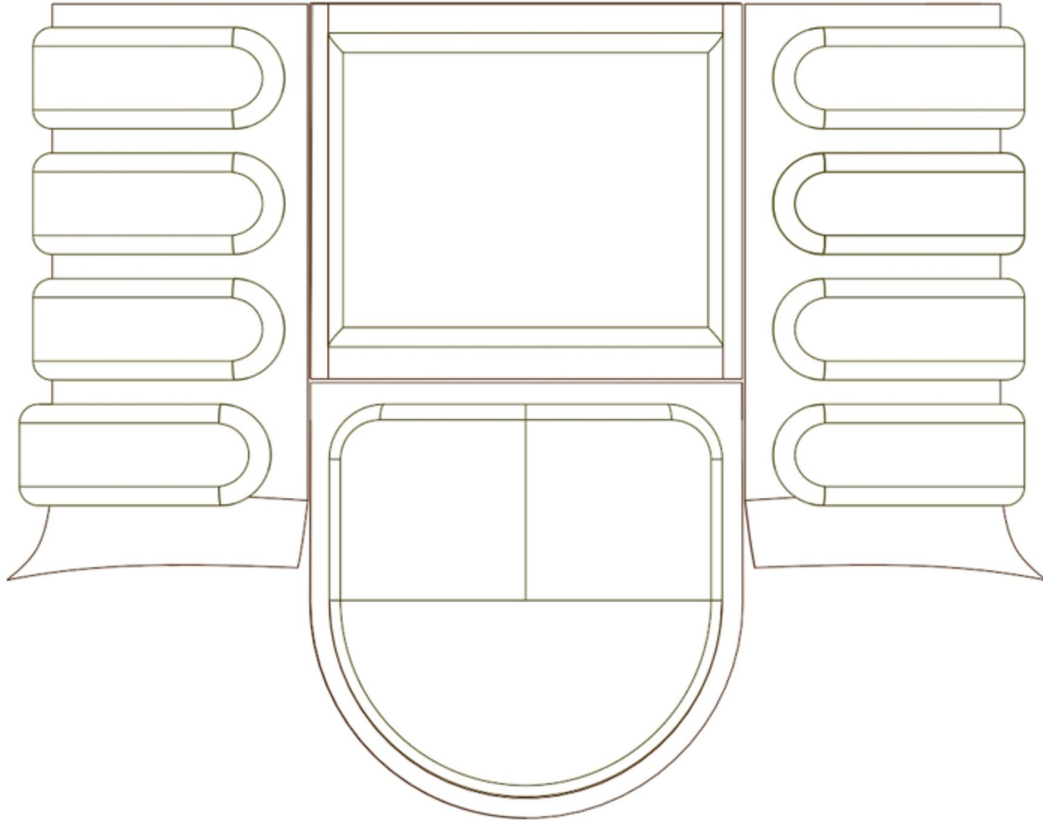
1.1



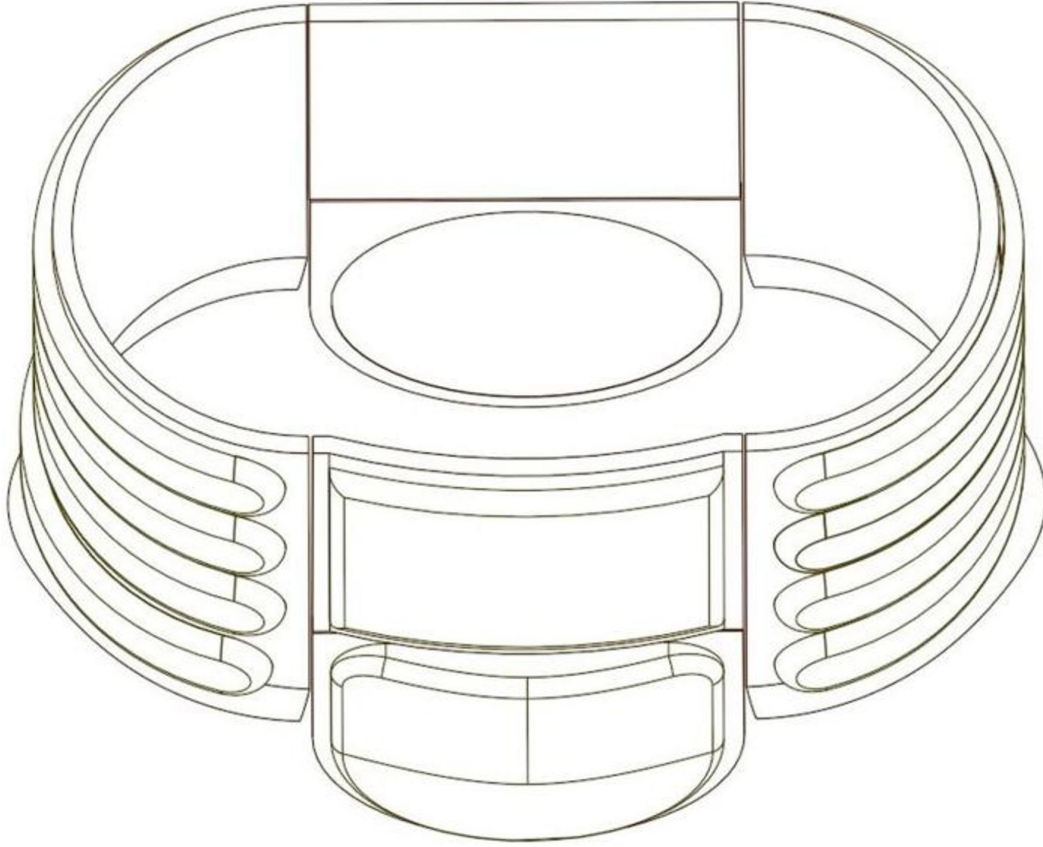
1.2



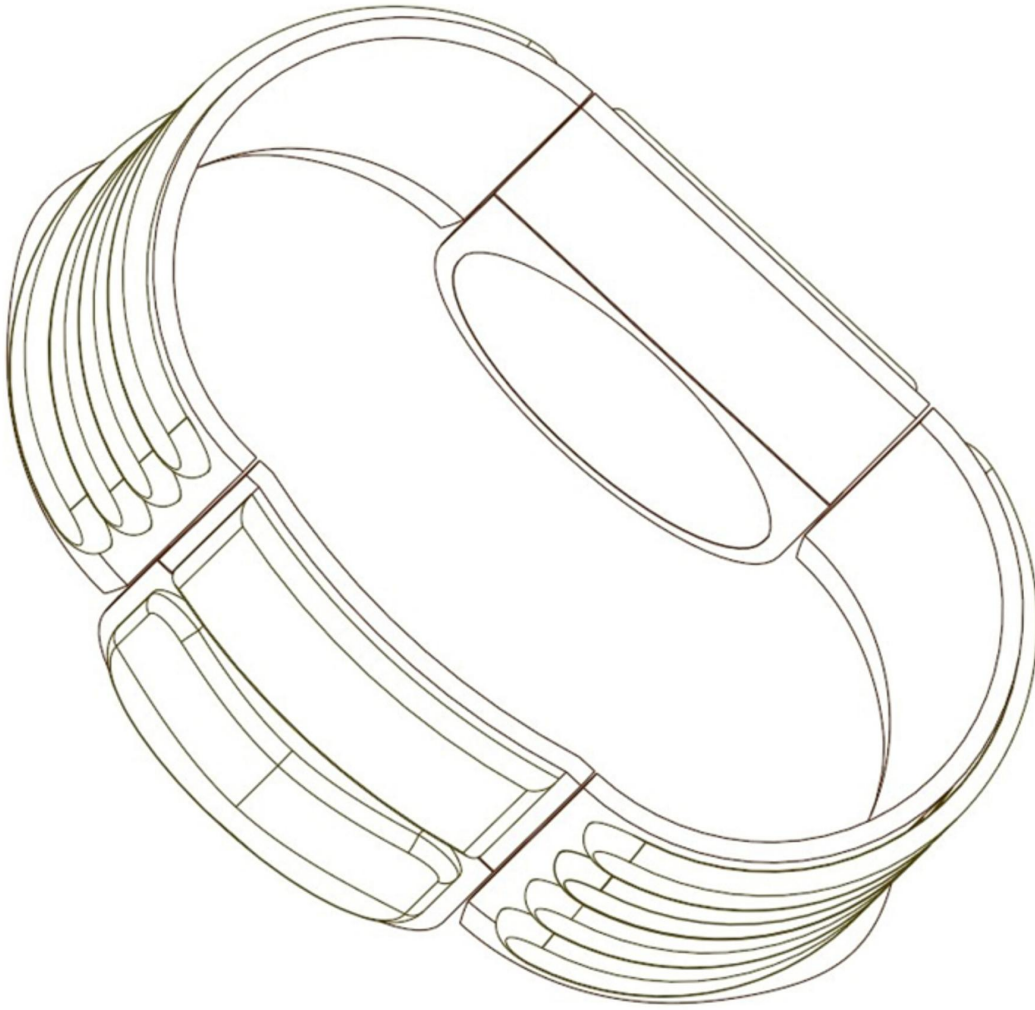
1.3



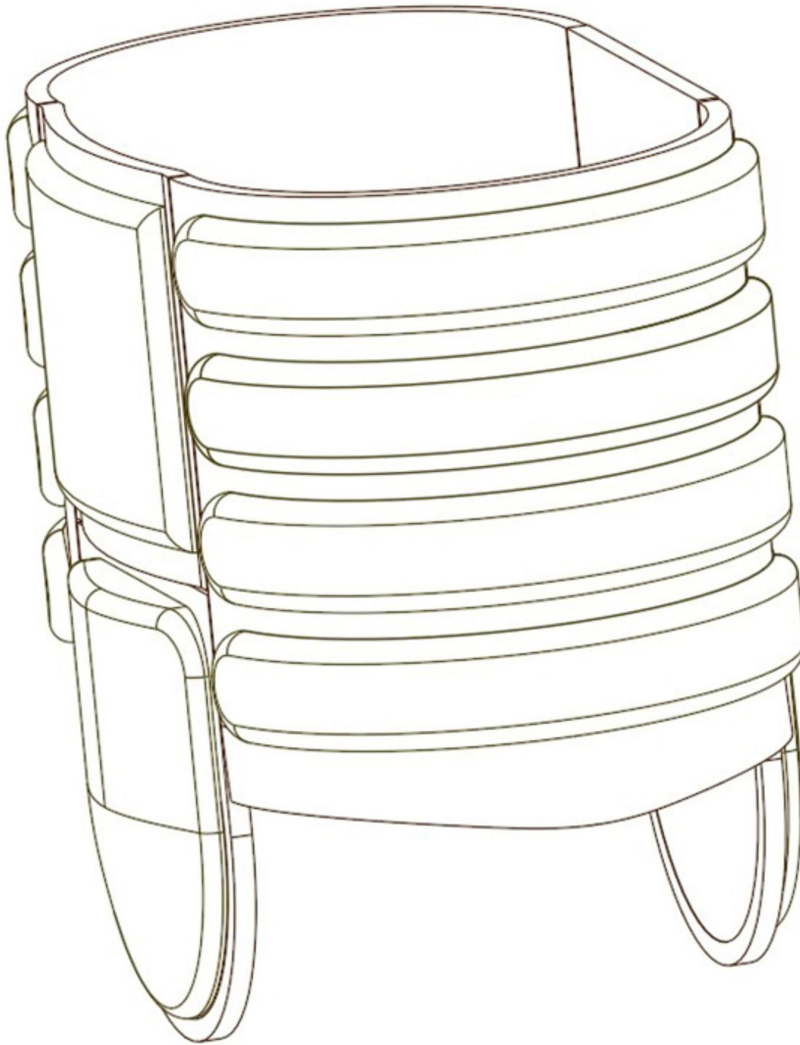
1.4



1.5



1.6



1.7